



GRAPHIC SYSTEMS SERVICES

MONOCHROME OR PROCESS COLOR CAPABLE  
SOLUTION FOR HIGH SPEED WEB INKJET PRINTING

# TDC

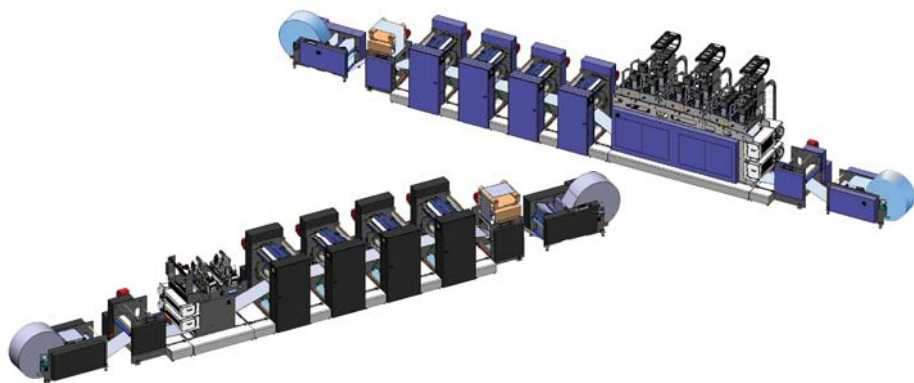
## Tower, Dryer, Carriage System

A CUSTOMIZABLE SOLUTION FOR INTEGRATING KODAK OR HP INKJET TECHNOLOGY  
ONTO EXISTING WEB PRESSES OR OFF LINE FINISHING EQUIPMENT.

TDC systems are designed for Kodak Prosper "S" Series or HP C800 inkjet heads. Our inkjet towers are available in a variety of configurations to meet your specific needs . The inkjet tower can be placed in-line with your web press or finishing line for hybrid inkjet imprinting in simplex and duplex configurations.

The TDC has precision rail to rail printhead positioning for process color registration that rivals offset presses.

For off line applications, auxiliary equipment such as an unwind, rewind, folder, sheeter, or coater are available from GSS.



### TDC BASIC SPECIFICATIONS

- Speeds up to 2,000 fpm
- Automatic color to color register control
- Adphos NIRWEB III drying systems
- Upgradeable
- 20" (508mm), 26" (660mm) or 38" (965") web widths



GRAPHIC SYSTEMS SERVICES

400 South Pioneer Blvd  
Springboro, Ohio 45066

www.gsspress.com  
(937)-746-0708

# Custom TDC Systems

THE GSS INKJET TOWER CAN BE PLACED IN LINE WITH YOUR CURRENT WEB PRESS TO PRINT MONOCHROME TEXT OR FULL PROCESS COLOR IMAGES.

THE GSS INKJET TOWERS ARE CUSTOM DESIGNED TO MEET YOUR UNIQUE REQUIREMENTS  
OUR INKJET TOWERS CAN BE INTEGRATED ONTO ANY WEB PRESS.

01

## GENERAL SPECIFICATIONS

- TDC consists of the base tower, Adphos dryer and printhead carriage
- Web widths of 20" (508 mm), 26" (660 mm), 38" (965 mm) with custom widths optional
- Maximum operating speed of 2000 fpm
- Paper substrates from 60 to 160 gsm (.0025" to .007" caliper)

02

## BASIC CARRIAGE SPECIFICATIONS

- Two rail carriage can mount up to four C800 modules
- Print modules can be moved manually or motorized
- Height and skew adjustments
- Precision tach roller and encoder

03

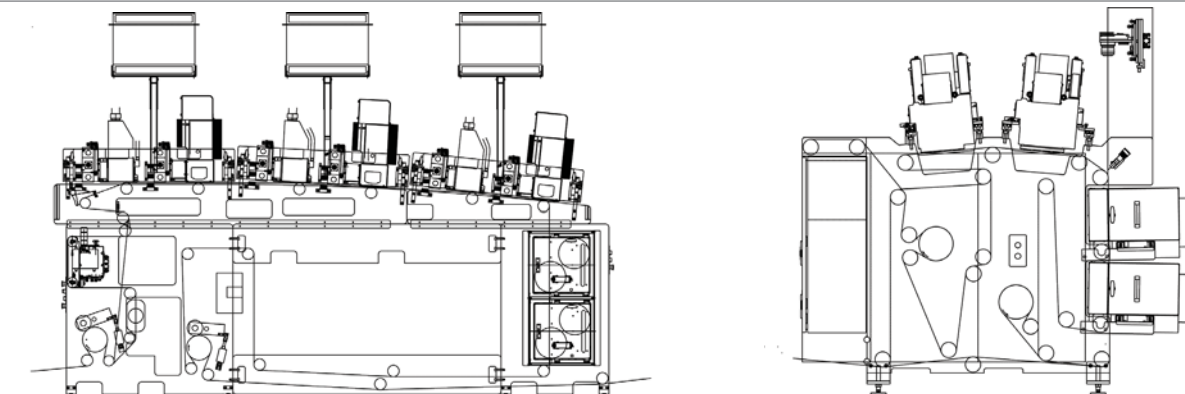
## PRINT TOWER OPTIONS

- Adphos dryers
- Web guides
- Web cleaners
- Web tension transducers
- Servo driven infeed and/or outfeed tension control
- Turnbars
- Water chilled cylinders
- High speed cameras

04

## PRINthead SPECIFICATIONS

- Kodak Proser S Series  
600 x 600 dpi at 1000 fpm , 600 x 300 dpi at 2000 fpm
- HP C800  
600 dpi at 800 fpm
- All four process colors are in one printhead for simple integration



GRAPHIC SYSTEMS SERVICES

400 South Pioneer Blvd  
Springboro, Ohio 45066

www.gsspress.com  
(937)-746-0708